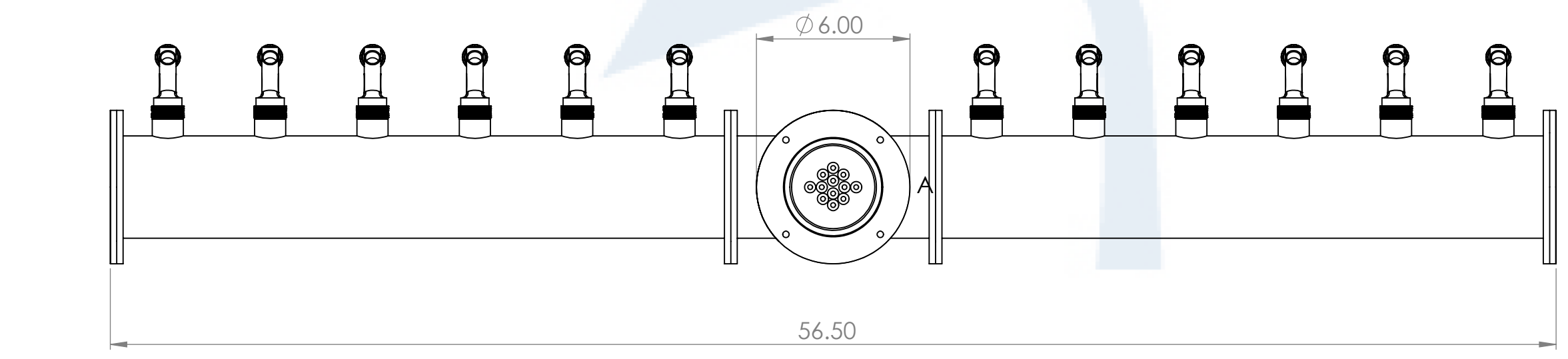
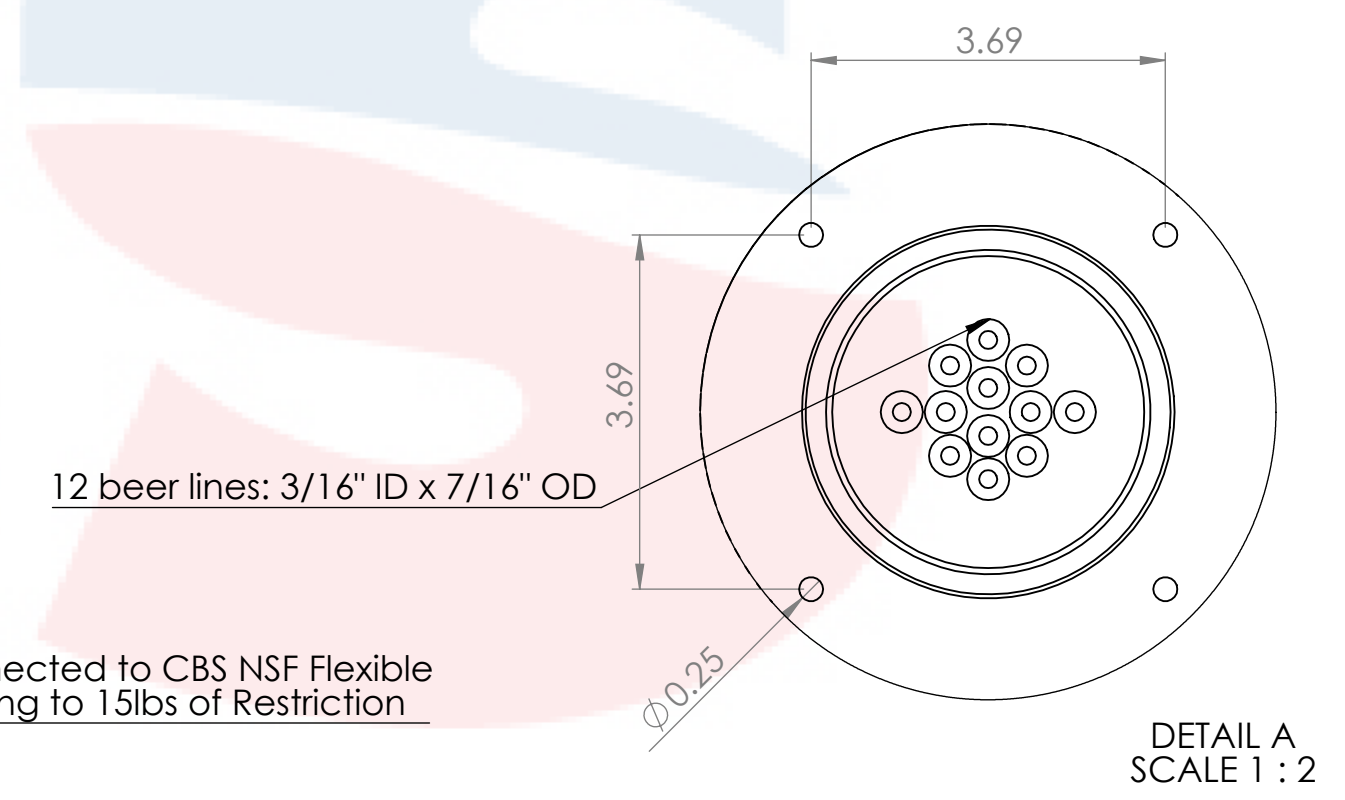


304SS tube connected to CBS NSF Flexible Total Barrier Tubing to 1.5lbs of Restriction



Suggested Drip Tray:
 2 x BB701330 - 30" x 7" BSS Drip Tray
 2 x BB702430 - 30" x 7" BSS Spray Drip Tray



Name		Date		Title:	
Drawn by:	Canadian Beverage Supply Inc.	11/17/2022		4" 12 Tap Condor Tower	
Approved by:		VP Sales		Part Number:	
Material:	304 SS	Finish:	Brushed SS	BB102610-12SS	
Unless otherwise mentioned, dimensions are inches				Revision:	
SCALE: 1:5				SHEET 1 OF 1	